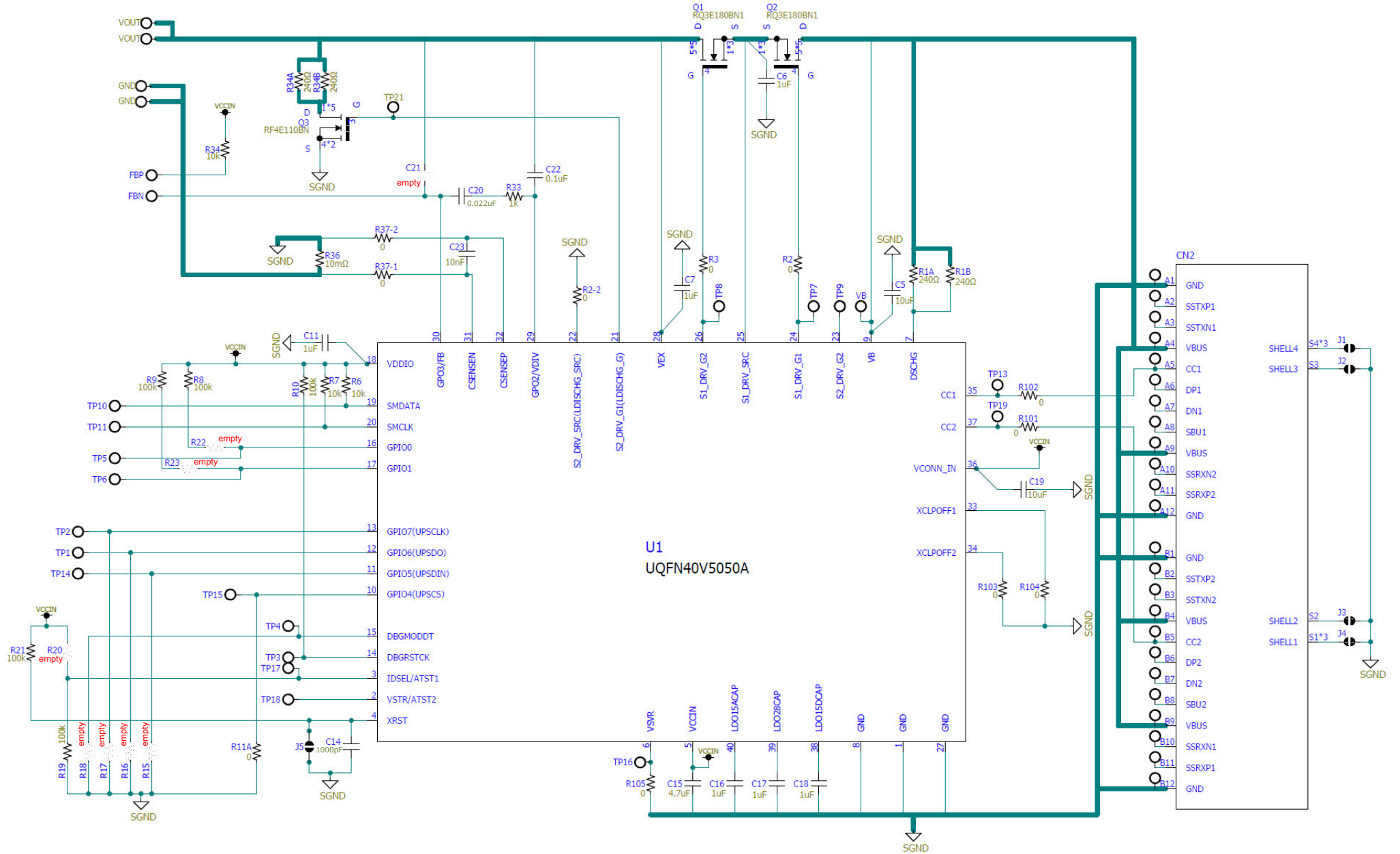


BM92A21MWV_EVK_001_Schematic



BM92A21MWV_EVK_001 Secondary Side BOM List

No.	Reference	Contents	Characteristic	Qty.
1	U1	TYPE-C USB PD Controller	5.0x5.0x1.0, UQFN40V5050A ROHM Part Number : BM92A21MWV	1
2	Q1, Q2	MOS FET	N-ch 3.0x3.0x1.0, HSMT8 ROHM Part Number : RQ3E180BN	2
3	Q3	MOS FET	N-ch 2.0x2.0x0.6, HUML2020L8 ROHM Part Number : RF4E110BN	1
4	C6, C7, C11, C16, C17, C18	Cap	1uF, 1005, X5R, 25V	6
5	C5, C19	Cap	10uF, 1608, X5R, 25V	2
6	C14	Cap	1000pF, 1005, X5R, 25V	1
7	C15	Cap	4.7uF, 1005, X5R, 6.3V	1
8	C20	Cap	0.022uF, 1005, X5R, 25V	1
9	C22	Cap	0.1uF, 1005, X5R, 25V	1
10	C23	Cap	0.01uF, 1005, X5R, 25V	1
11	R1A, R1B, R34A, R34B	Resistor	240Ω, 3216 ROHM Part Number : LTR18EZPJ241	4
12	R2, R2-2, R3, R11A, R37-1, R37-2, R101, R102, R103, R104, R105,	Resistor	0Ω, 1005 ROHM Part Number : MCR01MRTJ000	11
13	R6, R7, R34	Resistor	10kΩ, 1005 ROHM Part Number : MCR01MRTF1002	3
14	R8, R9, R10, R19, R21	Resistor	100kΩ, 1005 ROHM Part Number : MCR01MRTF1003	5
15	R33	Resistor	1kΩ, 1005 ROHM Part Number : MCR01MRTF1001	1
16	R36	Resistor	10mΩ, 3216 ROHM Part Number : LTR18EZPFU10L0	1
17	CN2	USB Receptacle	USB TYPE-C	1

It is not posted the schematic and BOM list on the primary side changes depending on the User's system.